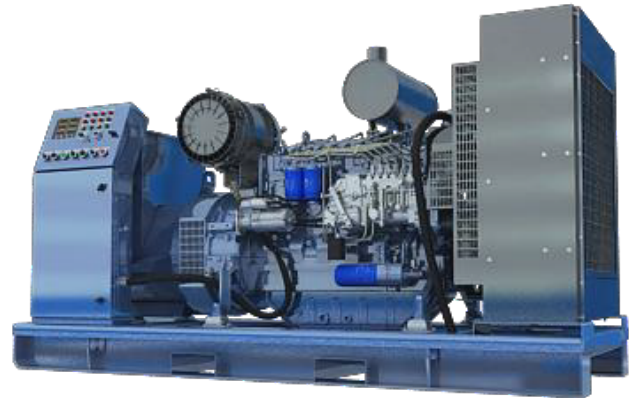


Marine Genset- CCFJ90Y-W*

Gen-Set Specifications

GenSet Model	CCFJ90Y-W*	
Power Factor	0.8-3 phase	
Frequency	Voltage	Prime
50Hz	400V	90kW
60Hz	/	/



Standard Features

Electronic governor	DC24V Electric & Air starter	Closed water-cooled
IP23	H type insulation	Anti-explosion high pressure pipe
Fuel leak alarm	By-side instrument	Shutoff electronic valve
Spare Parts	Special tool	CCS certification
Documents	Color: sea blue	Packaging: wooden packing case

Options

Remote Control Panel	Engine Heater (water & oil heater)	Alternator anti-condensation
Alternator winding temperature alarm		

Engine Specifications

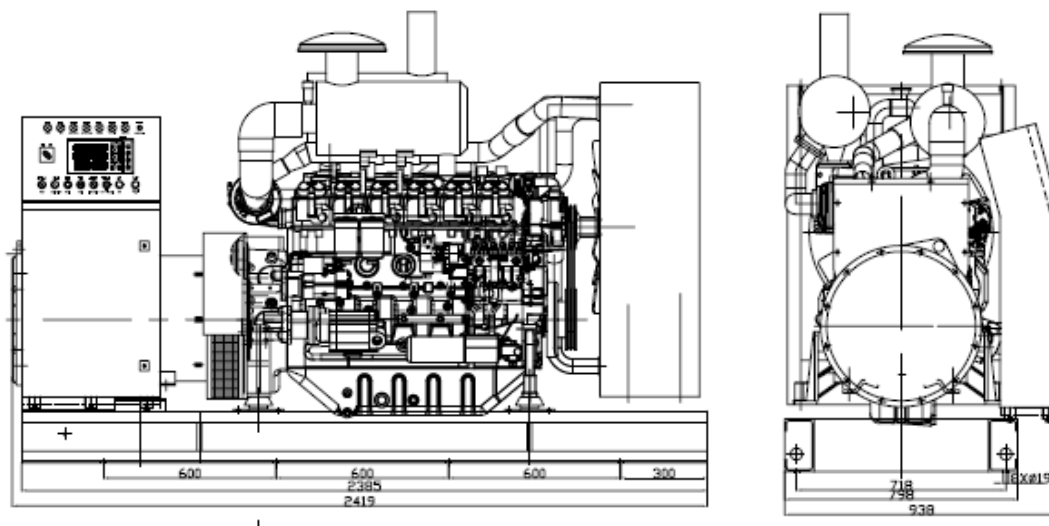
Engine Make & Model	Weichai WP6CD120-15(50HZ)
Rated Speed	1500 rpm
Prime Power	120 kW
Bore & Stroke	105x130 mm
Displacement	6.75
Cylinder Number	6
Fuel System	Mechanical Pump
Governor Method	Electronic
Aspiration	Turbocharged and aftercooled
Starting Method	24V electric starter and Air starter

Alternator Specifications

Alternator Make	Stamford/Marathon
Alternator Model	UCM274E/MP-H-90-4
Bearing Nos	1
Insulation Class	H
Steady-State Volt Adjustable Rate	$\leq \pm 2.5\%$
IP class	IP23
Winding Way	12
Excitation Mode	Brushless
Rated Power Factor	0.8

Dimensions

	Length	Width	Height	Weight
CCFJ90Y-W*	2601 mm	979mm	1569 mm	1381 kg



Sales Promises

Weichai Power provides a full line of brand new and high quality products. Each and every unit is strictly factory tested.

Warranty time: 1 year

Service and parts are available from Weichai Power or distributors in your location

Distributed By:

Manufacturer: Weichai Power Co., Ltd
Address: 197 A, Fushou East Street, High-Tech
Development Zone, Weifang, China
www.weichai.com

